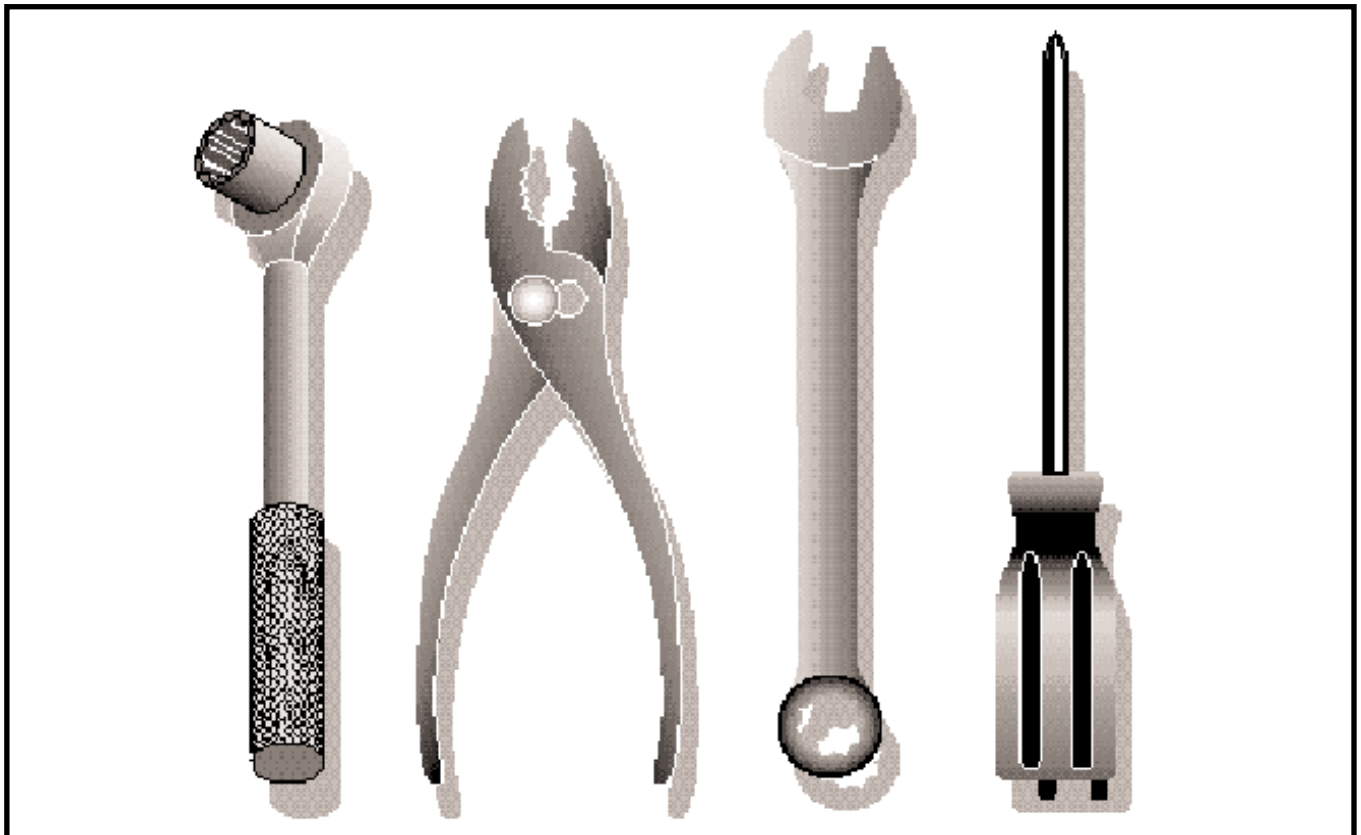


Ride Mower

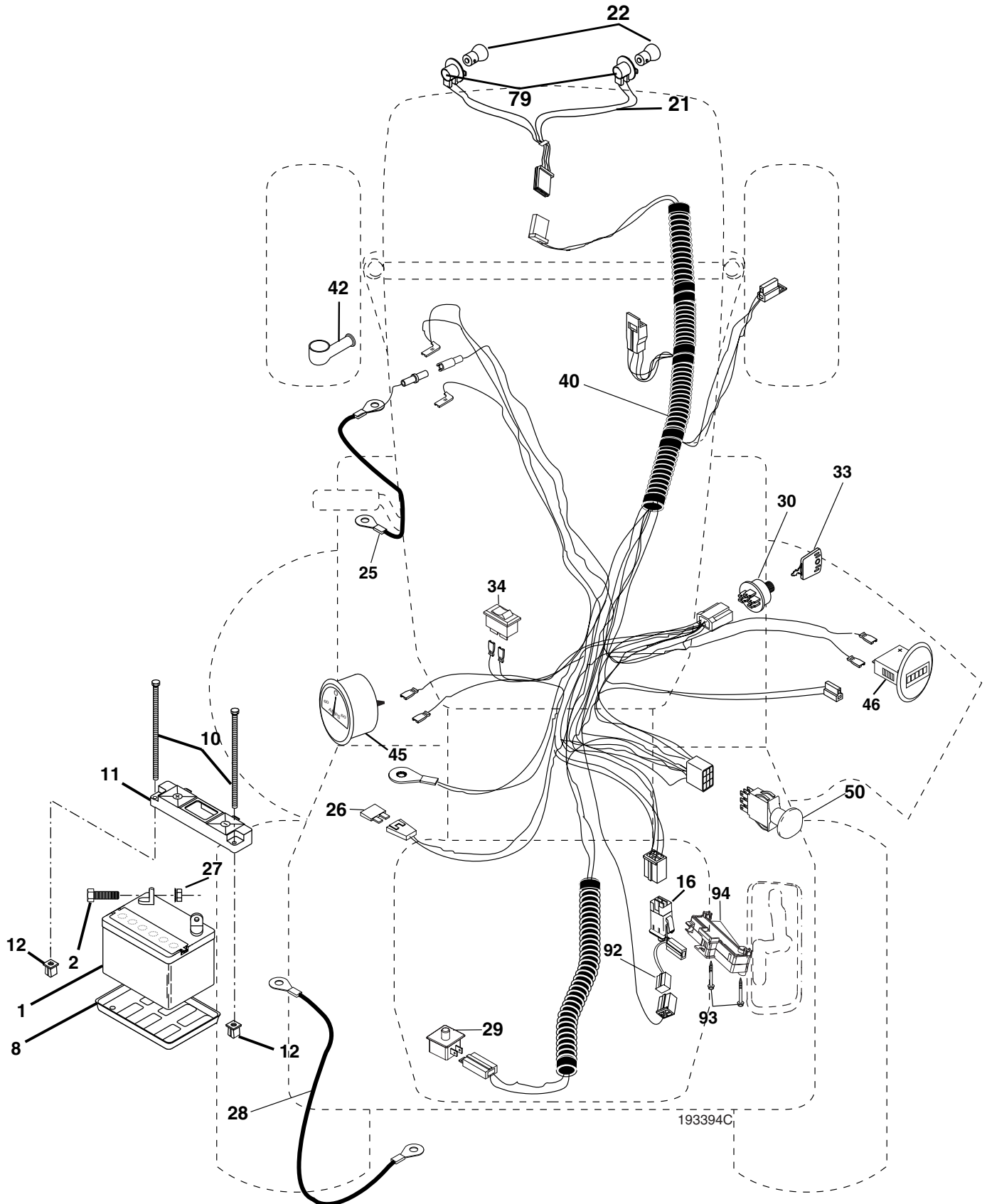
GTH2548

96023000300



REPAIR PARTS

TRACTOR - - MODEL NO. GTH2548 (96023000300) PRODUCT NO. 960 23 00-03
ELECTRICAL



REPAIR PARTS

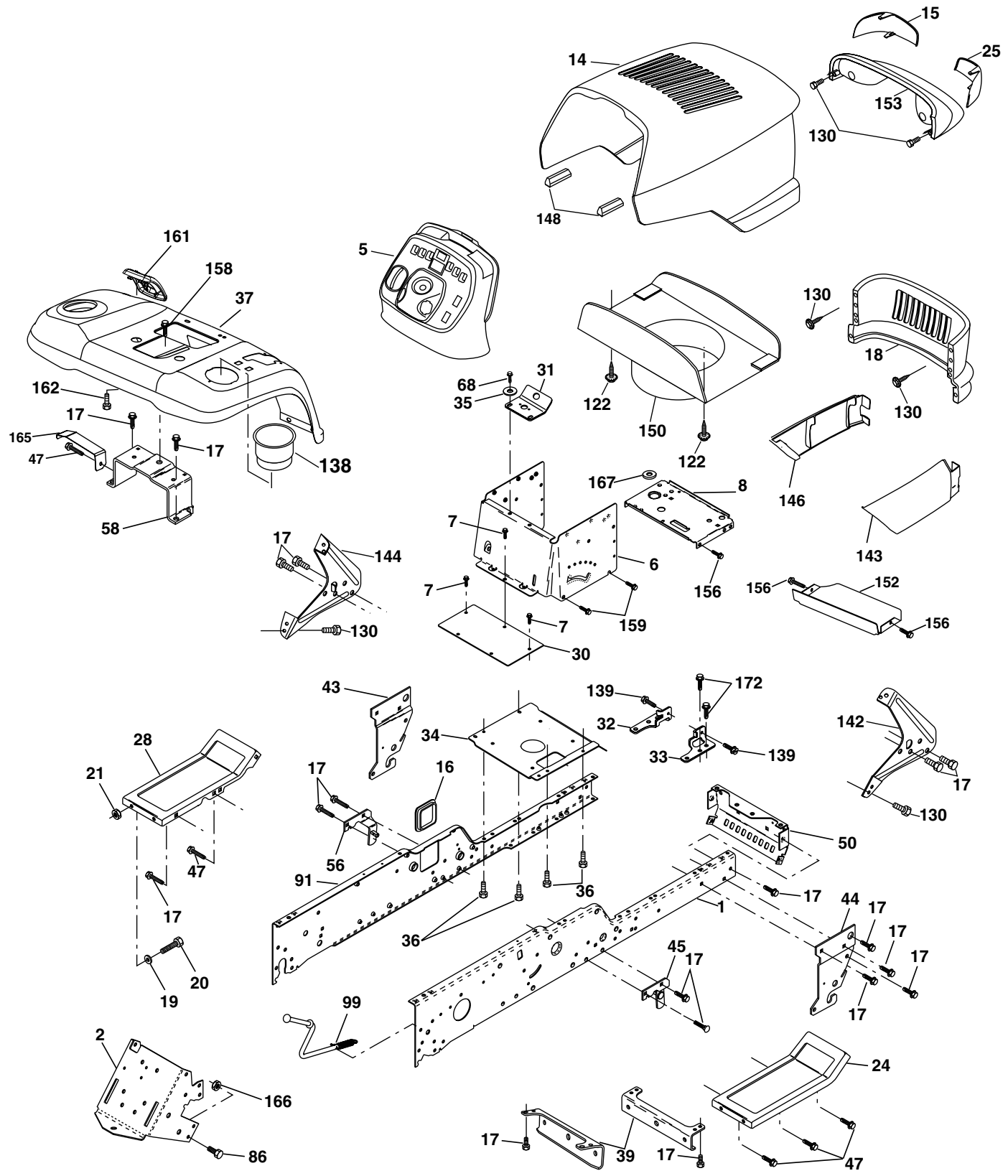
TRACTOR - - MODEL NO. GTH2548 (96023000300) PRODUCT NO. 960 23 00-03
ELECTRICAL

| KEY NO. | PART NO. | DESCRIPTION |
|---------|--------------|---------------------------------------|
| 1 | 532 14 49-27 | Battery |
| 2 | 874 76 04-12 | Bolt Hex Head 1/4-20 x 3/4 |
| 8 | 532 12 48-86 | Tray, Battery |
| 10 | 532 14 52-11 | Bolt, Battery Front 1/4-20 x 7.5 Zinc |
| 11 | 532 15 01-09 | Holddown Battery Front Mount |
| 12 | 532 14 57-69 | Nut, Push Nylon 1.4" Battery Front |
| 16 | 532 17 61-38 | Switch Interlock Push-In |
| 21 | 532 17 56-88 | Harness Socket Light w/4152J |
| 22 | 532 00 41-52 | Bulb Light |
| 25 | 532 18 54-56 | Cable |
| 26 | 532 10 88-24 | Fuse |
| 27 | 873 51 04-00 | Nut Keps Hex 1/4-20 |
| 28 | 532 17 06-97 | Cable Bolt Ground |
| 29 | 532 19 27-49 | Switch, Seat |
| 30 | 532 19 33-50 | Switch, Ign |
| 33 | 532 14 04-01 | Key |
| 34 | 532 11 07-12 | Switch Light/Reset B/B/Red |
| 40 | 532 19 33-92 | Harness Ign. |
| 42 | 532 15 43-36 | Cover, Terminal Red |
| 45 | 532 17 75-00 | Ammeter |
| 46 | 532 17 75-01 | Hourmeter |
| 50 | 532 17 46-51 | Switch, PTO |
| 79 | 532 17 52-42 | Bulbholder Asm |
| 92 | 532 19 34-65 | Harness Pigtail Reverse Switch |
| 93 | 532 19 25-40 | Screw 10-14 x 2.0 |
| 94 | 532 19 18-34 | Modual Reverse ROS |

NOTE: All component dimensions given in U.S. inches
1 inch = 25.4 mm

REPAIR PARTS

TRACTOR - - MODEL NO. GTH2548 (96023000300) PRODUCT NO. 960 23 00-03
CHASSIS AND ENCLOSURES



chassis-stealth_44

REPAIR PARTS

**TRACTOR - - MODEL NO. GTH2548 (96023000300) PRODUCT NO. 960 23 00-03
CHASSIS AND ENCLOSURES**

| KEY NO. | PART NO. | DESCRIPTION | KEY NO. | PART NO. | DESCRIPTION |
|---------|---------------------|--------------------------------|---------|--------------|---------------------------------|
| 1 | 532 18 03-75 | Rail, Kit RH | 56 | 532 17 60-16 | Bracket Asm Susp Chassis RH |
| 2 | 532 17 52-82 | Drawbar, Gt | 58 | 532 18 35-69 | Bracket Asm., Fender |
| 5 | 532 19 58-86 | Dash | 68 | 817 49 05-08 | Screw, 5/16-18 x 1/2 |
| 6 | 532 15 78-82 | Dash, 1PCS, Lower | 86 | 874 78 07-16 | Bolt, Fin Hex 7/16-14 unc |
| 7 | 817 72 04-08 | Screw, Thd Cut 1/4-20 x 1/2 | 91 | 532 18 03-74 | Rail, Kit Lh |
| 8 | 532 18 46-68 | Support, Battery | 99 | 532 17 71-43 | Rod Asm. Bypass |
| 14 | 532 19 00-55 | Hood Asm., Pnt | 122 | 532 19 25-12 | Screw Hex WSHD 8-18 x 7/8 |
| 15 | 532 16 18-41 | Lens LH | 130 | 532 19 16-11 | Screw 10 x 3/4 Single Lead-Hex |
| 16 | 532 12 17-94 | Cover, Access | 138 | 532 19 48-69 | Cupholder |
| 17 | 817 00 06-12 | Screw, 3/8-16 x 3/4 | 139 | 532 17 18-73 | Bolt Shoulder 5/16-18 |
| 18 | 532 18 28-73 | Grille | 142 | 532 16 18-97 | Bracket Dash Stealth RH |
| 19 | 819 13 13-12 | Washer 13/32 x 13/16 x 12 Ga. | 143 | 532 17 75-86 | Skirt Grille RH |
| 20 | 874 78 06-16 | Bolt, Fin Hex 3/8-16 x 1 | 144 | 532 16 19-00 | Bracket Dash Stealth LH |
| 21 | 873 80 06-00 | Nut, Crownlock 3/8-16 | 146 | 532 17 75-87 | Skirt Grille LH |
| 24 | 532 18 10-58 | Footrest, RH | 148 | 532 16 46-55 | Extrusion Bumper |
| 25 | 532 16 18-42 | Lens RH | 150 | 532 19 03-09 | Duct Heat Hood |
| 28 | 532 18 10-57 | Footrest, LH | 152 | 532 17 79-56 | Shield, Browning |
| 30 | 532 14 50-52 | Saddle | 153 | 532 18 82-12 | Lightbox Asm. |
| 31 | 532 16 14-19 | Bracket Supt 1-pc Vgt Steering | 156 | 817 00 05-12 | Screw 5/16-18 x 3/4 |
| 32 | 532 16 13-27 | Bracket, Frame Pivot Lh | 158 | 817 67 06-08 | Screw 3/8-16 x 1/2 |
| 33 | 532 16 13-26 | Bracket, Frame Pivot Rh | 159 | 817 00 06-12 | Screw Hexwsh Thdr. 3/8-16 x 3/4 |
| 34 | 532 17 70-18 | Plate Asm Engine Chassis | 161 | 532 18 17-87 | Cosole Fuel Window |
| 35 | 819 11 11-16 | Washer 11/32 x 11/16 x 16 Ga. | 162 | 532 14 24-32 | Screw 1/4-1/2 Unc |
| 36 | 817 06 05-12 | Screw 5/16-18 x 3/4 | 165 | 532 18 35-54 | Bracket Support Tank |
| 37 | 532 19 48-79 | Fender, Pnt. | 166 | 873 68 07-00 | Nut, Lock Hex 7/16-14 unc |
| 39 | 532 17 52-78 | Bracket, Axle Front | 167 | 532 18 46-72 | Bushing Snap Nylon 1.250 |
| 43 | 532 13 69-39 | Bracket, Spnsn Front Lh | 172 | 817 12 06-14 | Screw 3/8-16 x .875 |
| 44 | 532 13 69-40 | Bracket, Spnsn Front Rh | | | |
| 45 | 532 17 60-18 | Bracket, Susp Arm | | | |
| 47 | 817 49 06-08 | Screw Thdrol 3/8-16 x 1/2 | | | |
| 50 | 532 17 54-76 | Bracket, Chassis Front | | | |

NOTE: All component dimensions given in U.S. inches
1 inch = 25.4 mm

REPAIR PARTS

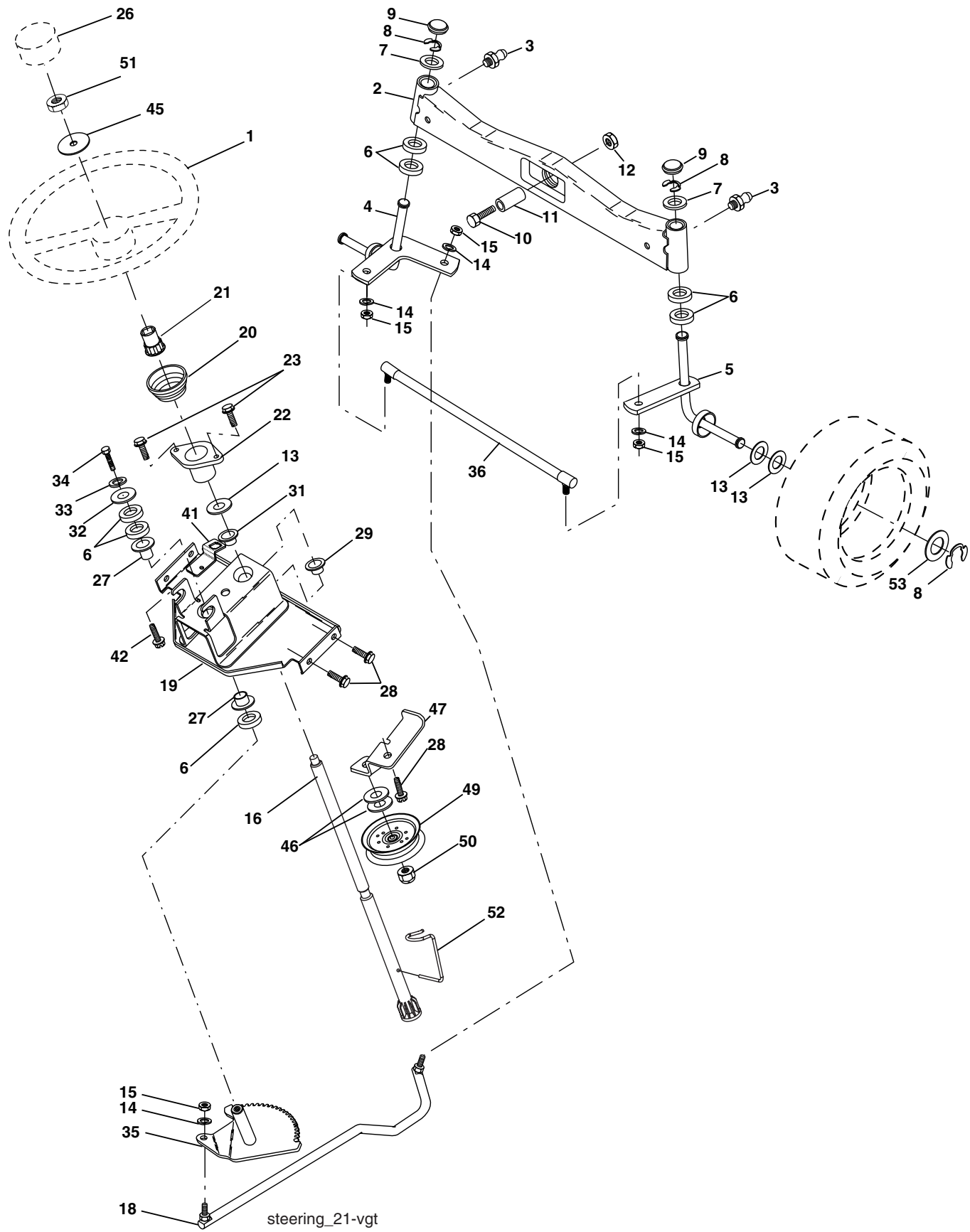
**TRACTOR - - MODEL NO. GTH2548 (96023000300) PRODUCT NO. 960 23 00-03
GROUND DRIVE**

| KEY NO. | PART NO. | DESCRIPTION | KEY NO. | PART NO. | DESCRIPTION |
|---------|--------------|---|---------|--------------|--------------------------------------|
| 1 | ----- | Transaxle Hydro Gear 331-3000 (Order Parts From Transaxle Manufacturer) | 94 | 532 13 38-35 | Fastener Christmas Tree |
| 2 | 532 00 70-70 | Key Sq. 1/4 x 1/4 x 2.5 | 98 | 532 14 10-04 | Bracket Shift |
| 3 | 532 00 75-63 | Washer Thrust | 106 | 532 14 29-18 | O-Ring Asm Hydro Gear |
| 6 | 876 02 04-12 | Pin, Cotter | 107 | 532 15 47-39 | Line Fuel Hydro 15" VGT |
| 7 | 532 14 05-07 | Wheel, Hub Assembly | 108 | 532 14 29-17 | Cap Asm Vent Hydro Gear |
| 9 | 532 14 00-80 | Bolt, Hub | 111 | 532 15 62-40 | Spacer Shift Lever VGTH |
| 20 | 873 94 08-00 | Nut | 112 | 532 17 85-58 | Washer Nylon High Temp |
| 22 | 532 18 02-35 | Lever Asm Shift | 114 | 873 80 05-00 | Nut Lock Hex W/Ins 5/16-18 unc |
| 23 | 532 14 08-45 | Knob | 117 | 873 90 06-00 | Nut, Lock Flg. 3/8-16 |
| 29 | 532 17 66-00 | Brake, Rod | 120 | 817 00 06-12 | Screw 3/8-16 x .75 |
| 33 | 812 00 00-53 | Ring E | 121 | 532 17 56-11 | Bracket Strap Torque |
| 34 | 532 07 16-73 | Cap, Parking Brake | 122 | 872 01 05-20 | Bolt RDHDSQ 5/16-18 unc x 2-1/2 |
| 35 | 532 13 76-48 | Rod, Parking Brake | 123 | 532 19 24-38 | Rod Shift |
| 36 | 532 14 94-12 | Spring, Drive Ground | 124 | 532 16 54-92 | Bolt Shoulder 5/16-18 x .561 |
| 37 | 532 12 17-49 | Washer 25/32 x 1-1/4 x 16 Ga. | 126 | 532 16 60-02 | Washer SRRTD 5/16 ID x 1.0 x .125 |
| 38 | 532 15 00-35 | Nyliner | 127 | 532 17 73-62 | Link Control Clutch |
| 39 | 874 32 10-16 | Screw, Fin. #10-24 x 1 | 128 | 532 17 66-24 | Spring Drive GRND |
| 40 | 532 17 85-75 | Actuator, Interlock VGT | 129 | 532 17 94-73 | Bracket Asm Idler Tensioning |
| 41 | 873 93 10-00 | Nut Centerlock 10-24 unc | 130 | 819 13 10-16 | Washer 13/32 x 5/8 x 16 Ga. |
| 42 | 532 12 48-72 | Cover, Pedal | 131 | 876 02 03-12 | Pin Cotter 3/32 x 3/4 |
| 46 | 532 14 51-70 | Retainer, Spring | 132 | 532 17 54-67 | Bracket Mtg Hydro 3500 LH VGT |
| 48 | 872 11 06-14 | Bolt Rdhd 3/8-16 x 1.3/4 Gr. 5 | 133 | 532 17 54-68 | Bracket Mtg Hydro 3500 RH VGT |
| 50 | 532 13 14-94 | Pulley, Idler, Flat | 135 | 532 17 73-64 | Link Asm Control Hydro 3500 |
| 52 | 532 12 77-83 | Pulley, Idler, Grooved | 137 | 532 12 49-49 | Nut Lock 5/16-18 NC Thd. |
| 55 | 532 10 57-06 | Bearing, Idler | 138 | 532 00 13-70 | Washer Thrust 5/8 x 1.10 x 1/32 |
| 56 | 532 16 15-97 | V-Belt | 142 | 532 17 54-69 | Strap Torque HG-3500 |
| 58 | 874 76 07-24 | Bolt Fin Hex 7/16-14 x 1-1/2 | 143 | 817 00 05-12 | Screw Thdrol 5/16-18 x 3/4 |
| 61 | 532 14 39-95 | Pulley, Transaxle | 145 | 532 16 31-68 | Washer Axle Flange HG-3000 |
| 64 | 532 17 66-01 | Shaft, Brake Pedal | 146 | 532 14 04-62 | Fan 7" Hydro |
| 65 | 532 17 96-13 | Bolt, Shoulder | 147 | 532 14 13-22 | Washer |
| 68 | 532 00 51-42 | Pin, Roll | 151 | 874 76 05-14 | Bolt Hex 5/16-18 x 7/8 |
| 69 | 532 12 38-00 | Washer | 152 | 532 17 87-05 | Bolt Hex 5/16 x 1 W/Patch |
| 70 | 532 19 48-77 | Console Automatic YT/GT | 153 | 532 12 47-88 | Spring, Retainer |
| 73 | 874 49 05-48 | Bolt Hex Flghd 5/16-18 x 3 Gr. 5 | | | |
| 74 | 532 14 24-32 | Screw Hex Wsh. Hi-Lo 1/4-1/2 | | | |
| 77 | 874 78 07-16 | Bolt Fin Hex 7/16-14 x 1 | | | |
| 89 | 873 68 07-00 | Nut Crownlock 7/16-14 unc | | | |

NOTE: All component dimensions given in U. S. inches 1 inch = 25.4 mm

REPAIR PARTS

TRACTOR - - MODEL NO. GTH2548 (96023000300) PRODUCT NO. 960 23 00-03
STEERING ASSEMBLY



REPAIR PARTS

TRACTOR - - MODEL NO. GTH2548 (96023000300) PRODUCT NO. 960 23 00-03
STEERING ASSEMBLY

| KEY NO. | PART NO. | DESCRIPTION |
|---------|--------------|------------------------------------|
| 1 | 532 19 36-51 | Wheel, Steering |
| 2 | 532 17 85-57 | Axle Asm., Front |
| 3 | 532 18 32-26 | Fitting, Grease |
| 4 | 532 16 18-49 | Spindle Asm, LH |
| 5 | 532 16 18-48 | Spindle Asm., RH |
| 6 | 532 12 49-31 | Bearing, Race Thrust Harden |
| 7 | 532 12 17-48 | Washer 25/32 x 1-5/8 x 16 Ga. |
| 8 | 812 00 00-29 | Ring, Klip #T5304-75 |
| 9 | 532 12 12-32 | Cap, Spindle |
| 10 | 874 78 10-44 | Bolt, Fin Hex 5/8-11 x 2-3/4 |
| 11 | 532 13 65-18 | Spacer Brg Axle Front 1.570 |
| 12 | 873 90 10-00 | Nut, Lock Flange 5/8-11 unc |
| 13 | 532 12 17-49 | Washer 25/32 x 1-1/4 x 16 Ga. |
| 14 | 810 04 06-00 | Washer, Lock Hvy Hlcl Spr 3/8 |
| 15 | 873 54 06-00 | Nut Crownlock 3/8-24 |
| 16 | 532 18 68-14 | Shaft Asm., Steering |
| 18 | 532 17 55-72 | Draglink, Vgt |
| 19 | 532 15 60-11 | Support Asm., Steering Vgt |
| 20 | 532 17 75-92 | Boot Steering |
| 21 | 532 18 67-37 | Adapter, Wheel Steering |
| 22 | 532 15 51-05 | Bushing, Strg. |
| 23 | 532 15 29-27 | Screw |
| 26 | 532 19 36-52 | Cap , Wheel Steering |
| 27 | 532 12 49-37 | Bearing, Col. Strg. |
| 28 | 817 00 06-12 | Screw 3/8-16 x 3/4 |
| 29 | 532 10 42-39 | Bearing, Flange |
| 31 | 532 13 81-36 | Bushing, Nyliner Snap |
| 32 | 819 11 16-10 | Washer 11/32 x 1 x 10 Ga. |
| 33 | 810 04 05-00 | Washer, Lock Hvy Hlcl Spr 5/16 |
| 34 | 874 78 05-12 | Bolt, Hex Hd 5/16-18 x 3/4 |
| 35 | 532 18 70-39 | Gear, Sector Steering |
| 36 | 532 18 67-99 | Tie Rod |
| 41 | 532 15 52-46 | Bracket Switch Inerlock VGT97 |
| 42 | 817 49 05-08 | Screw 5/16-18 x 1/2 |
| 45 | 819 18 38-12 | Washer 9/16 ID x 2-3/8 OD 12 G Zin |
| 46 | 819 13 16-10 | Washer 13/32 x 1 x 10 Ga. |
| 47 | 532 17 94-71 | Bracket Asm. Idler |
| 49 | 532 17 58-20 | Pulley Idler Flat |
| 50 | 873 90 06-00 | Nut Lock Flg 3/8-16 unc |
| 51 | 873 94 08-00 | Nut Hex Jam Toplock 1/2-20 unf |
| 52 | 532 17 55-53 | Clip Steering .750 |
| 53 | 532 18 89-67 | Washer Harden .793 x 1.63 x 060 |

NOTE: All component dimensions given in U.S. inches
1 inch = 25.4 mm

REPAIR PARTS

TRACTOR - - MODEL NO. GTH2548 (96023000300) PRODUCT NO. 960 23 00-03
ENGINE

| KEY NO. | PART NO. | DESCRIPTION |
|---------|--------------|--|
| 1 | ----- | Engine Kohl, Model No. CV730(Order parts from engine manufacturer) |
| 2 | 532 14 97-23 | Muffler Side |
| 8 | 532 12 13-61 | Pulley V-Idler |
| 9 | 532 17 77-48 | Keeper Asm. Belt Engine VGT |
| 10 | 532 17 52-87 | Bushing |
| 11 | 532 17 93-35 | Clutch Electric |
| 12 | 532 14 39-96 | Pulley Engine VGT Elect Clutch |
| 15 | 532 17 91-15 | Tank Fuel Rear 5.0 |
| 18 | 532 18 18-03 | Cap Fuel |
| 20 | 532 18 29-37 | Control Throttle |
| 21 | 532 19 16-11 | Screw 10 x 3/4 Single Lead Hex |
| 22 | 532 18 95-41 | Control Choke |
| 26 | 532 12 49-52 | Bushing |
| 27 | 532 13 92-77 | Stem Tank Fuel |
| 28 | 532 12 47-03 | Fuel Line |
| 29 | 532 13 71-80 | Spark Arrester Kit |
| 31 | 532 14 50-06 | Clip Push-In Hinged |
| 37 | 532 12 34-87 | Clamp Hose |
| 39 | 817 49 06-36 | Screw TT 3/8-16 x 2-1/4 unc |
| 40 | 817 49 06-64 | Screw TT 3/8-16 x 4 unc |
| 41 | 532 12 61-97 | Washer 1-1/2 OD X 15/32 ID X .250 |
| 42 | 810 04 07-00 | Washer Lock 7/16 |
| 47 | 532 17 52-88 | Bushing |
| 62 | 532 14 66-29 | Shield Heat Muffler |
| 69 | 532 18 60-54 | Gasket |
| 70 | 532 17 55-45 | Tube Exhaust LH |
| 71 | 532 17 55-46 | Tube Exhaust RH |
| 80 | 532 16 33-05 | Nut Flange M8-1.25 |
| 81 | 532 18 88-00 | Oil Drain Tube |
| 82 | 532 18 87-99 | Valve Drain Oil |
| 83 | 532 17 18-77 | Bolt 5/16-18 unc x 1-3/4 W/Sems |
| 84 | 817 06 06-24 | Screw 3/8-16 x 1-1/2 |
| 43 | 532 17 99-53 | Bolt Hex 7/16-20 x 3.75 Gr. 5 |
| 86 | 532 18 43-62 | Nut Hex Flange Toplock M8-1.25 |

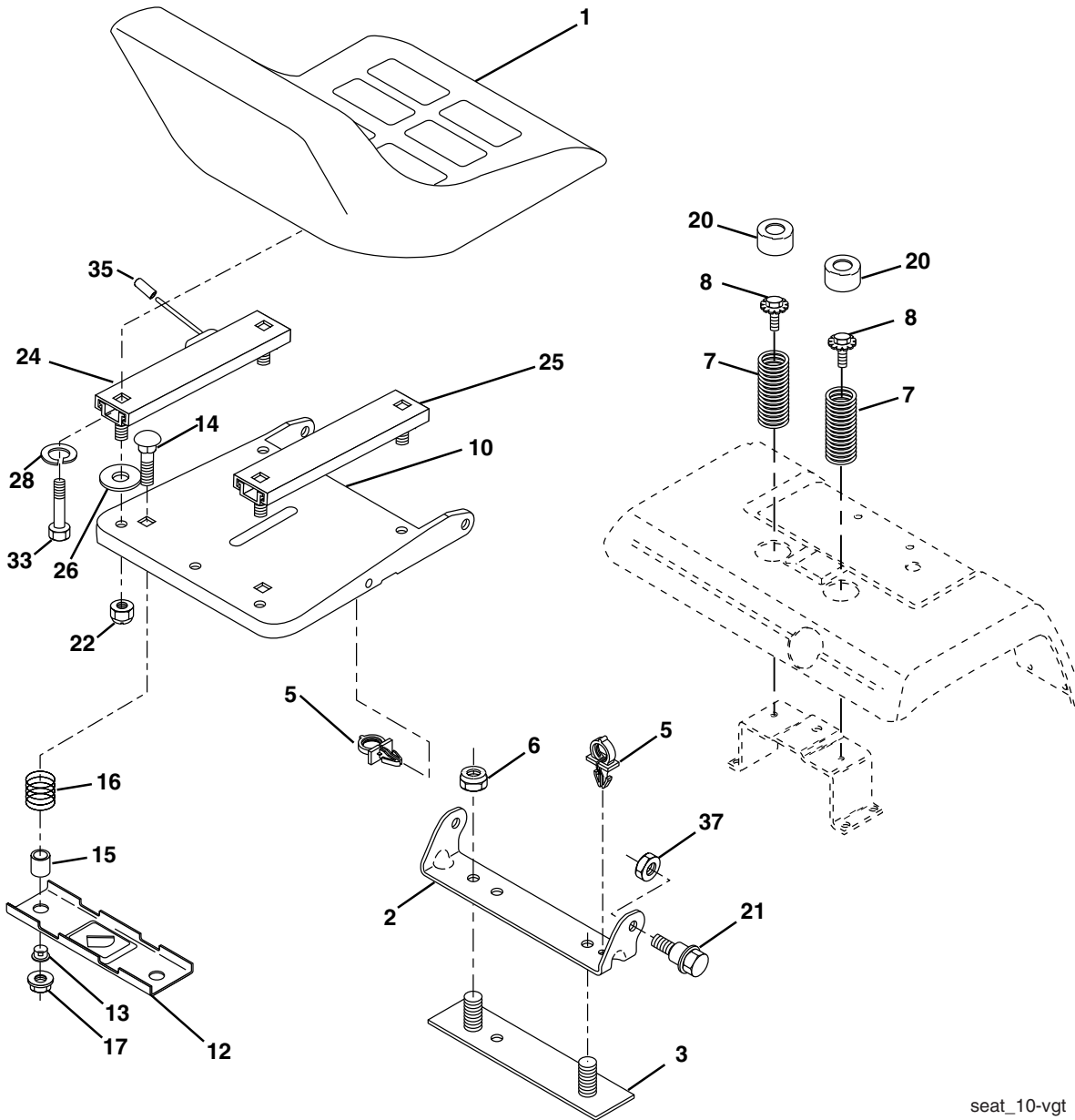
NOTE: All component dimensions given in U.S. inches
1 inch = 25.4 mm

For engine service and replacement parts, call the toll free number for your engine manufacturer listed below:

| | |
|-------------------|----------------|
| Briggs & Stratton | 1-800-233-3723 |
| Kohler Co. | 1-800-544-2444 |
| Tecumseh Products | 1-800-558-5402 |
| Honda Engines | 1-800-426-7701 |
| Kawasaki | 1-949-460-5688 |

REPAIR PARTS

TRACTOR - - MODEL NO. GTH2548 (96023000300) PRODUCT NO. 960 23 00-03
SEAT ASSEMBLY



seat_10-vgt

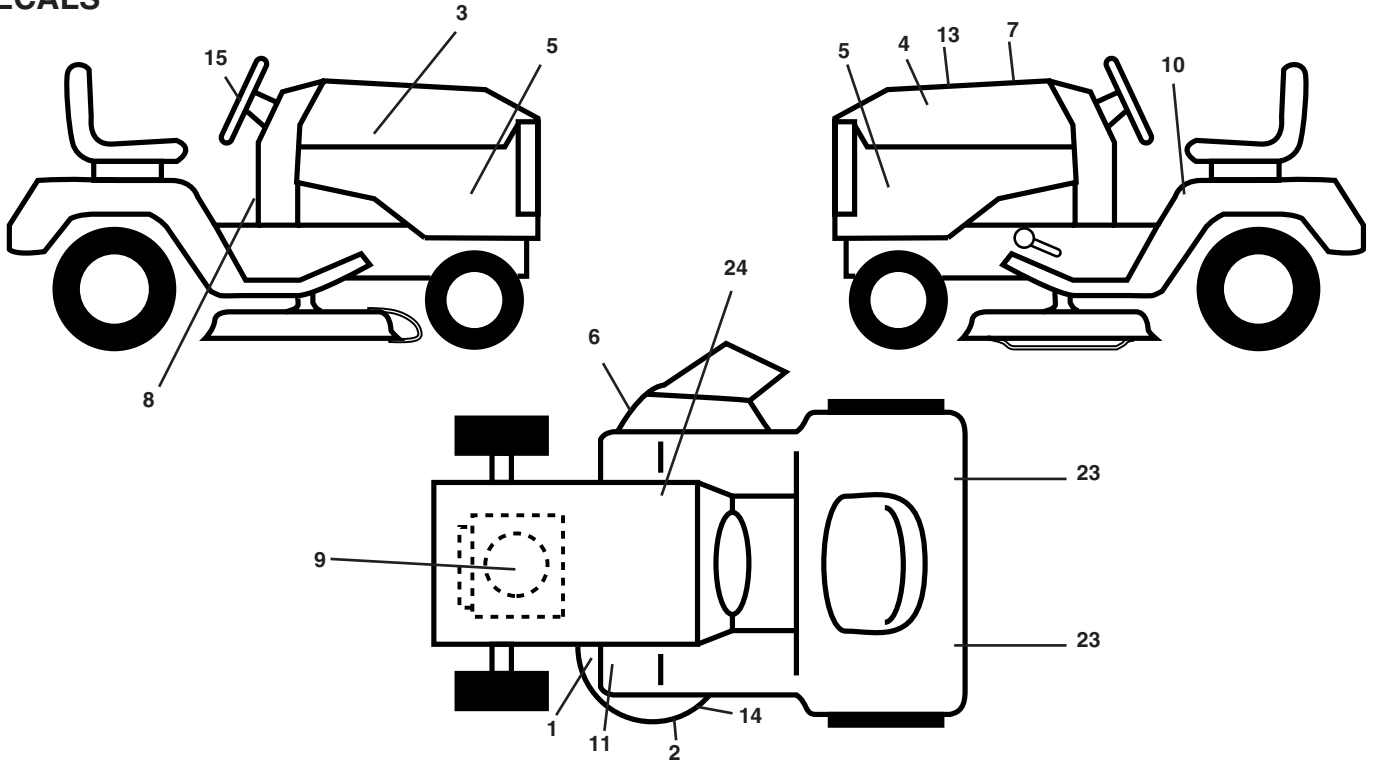
| KEY NO. | PART NO. | DESCRIPTION |
|---------|--------------|-------------------------------|
| 1 | 532 18 87-15 | Seat |
| 2 | 532 14 05-51 | Bracket, Pivot Seat |
| 3 | 532 14 06-75 | Strap Asm Fender |
| 5 | 532 14 50-06 | Clip, Push In Hinged |
| 6 | 873 80 06-00 | Nut, Crownlock 3/8-16 |
| 7 | 532 12 41-81 | Spring, Seat Cprsn |
| 8 | 532 17 18-77 | Bolt 5/16-18 Unc x 3/4 |
| 10 | 532 18 24-93 | Pan, Seat |
| 12 | 532 17 46-48 | Bracket, Mounting Switch |
| 13 | 532 12 12-48 | Bushing, Snap |
| 14 | 872 05 04-12 | Bolt, Carriage 1/4-20 x 1-1/2 |
| 15 | 532 12 12-49 | Spacer, Split |
| 16 | 532 12 37-40 | Spring, Cprsn |

| KEY NO. | PART NO. | DESCRIPTION |
|---------|--------------|-----------------------------|
| 17 | 532 12 39-76 | Nut, Lock 1/4 Lge Flg Gr. 5 |
| 20 | 532 12 42-38 | Cap Spring Seat |
| 21 | 532 17 18-52 | Bolt, Shoulder 5/16-18 |
| 22 | 873 68 05-00 | Nut Crown Lock 5/16-18 |
| 24 | 532 17 79-46 | Track Slide Seat LH |
| 25 | 532 17 79-47 | Track Slide Seat RH |
| 26 | 819 11 10-12 | Washer 11/32 x 5/8 x 12 Ga. |
| 28 | 810 01 05-00 | Washer Split |
| 33 | 874 78 05-12 | Bolt Fin Hex 5/16-18 x 3/4 |
| 35 | 532 17 84-26 | Cap Vinyl |
| 37 | 873 80 05-00 | Nut, Crownlock 5/16-18 |

NOTE: All component dimensions given in U.S. inches
1 inch = 25.4 mm

REPAIR PARTS

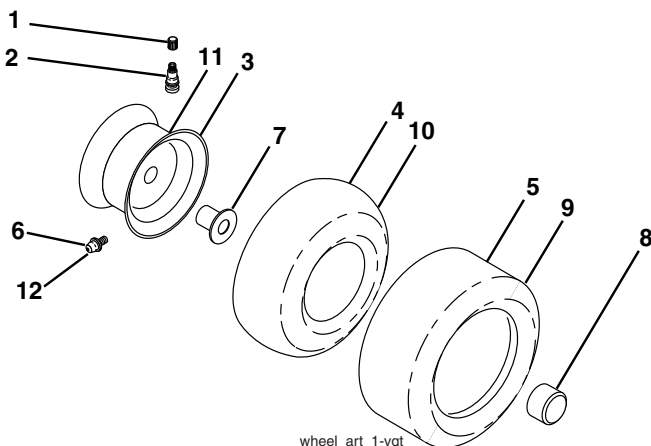
TRACTOR - - MODEL NO. GTH2548 (96023000300) PRODUCT NO. 960 23 00-03
DECALS



| KEY NO. | PART NO. | DESCRIPTION |
|---------|--------------|----------------------|
| 1 | 532 17 85-02 | Decal, Deck Caution |
| 2 | 532 17 84-82 | Decal, Deck Hvy Duty |
| 3 | 532 18 89-47 | Decal, Hood RH |
| 4 | 532 18 89-48 | Decal, Hood LH |
| 5 | 532 19 42-62 | Decal, Side Panel |
| 6 | 532 17 05-63 | Decal, Warning |
| 7 | 532 18 09-41 | Decal, Cust. Resp. |
| 8 | 532 19 38-65 | Decal, Operator |
| 9 | 532 17 85-64 | Decal, Engine |
| 10 | 532 15 71-40 | Decal, Danger |
| 11 | 532 18 12-53 | Decal, Foot Rest |

| KEY NO. | PART NO. | DESCRIPTION |
|---------|--------------|----------------------------|
| 13 | 532 19 43-72 | Decal, Replacement |
| 14 | 532 17 52-91 | Decal, V-Belt Schematic |
| 15 | 532 18 89-25 | Decal, Ins. Strg Whl |
| 23 | 532 10 62-02 | Reflector, Taillight LH/RH |
| 24 | 532 14 50-05 | Decal, Btry Dngr/Psn |
| -- | 532 16 69-60 | Decal, Drawbar |
| -- | 532 18 19-17 | Pad Footrest RH |
| -- | 532 18 19-16 | Pad Footrest LH |
| -- | 532 19 39-08 | Manual, Owners (English) |
| -- | 532 19 39-10 | Manual, Owners (French) |

WHEELS & TIRES

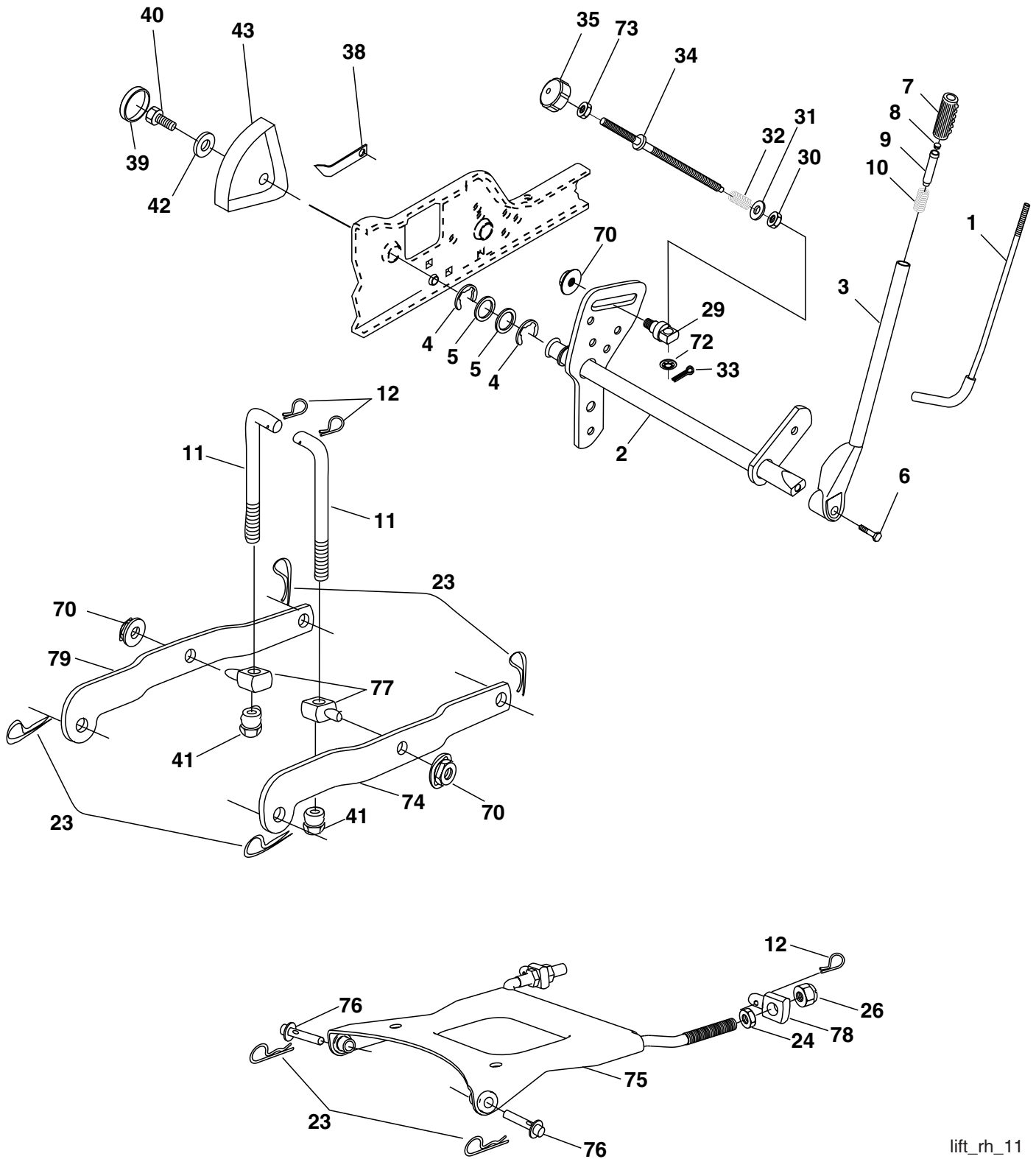


| KEY NO. | PART NO. | DESCRIPTION |
|---------|--------------|------------------------------------|
| 1 | 532 05 91-92 | Cap, Valve, Tire |
| 2 | 532 06 51-39 | Stem, Valve |
| 3 | 532 14 45-09 | Rim Assembly, Front |
| 4 | 532 00 81-34 | Tube, Front (Service Item Only) |
| 5 | 532 10 62-30 | Tire, Front |
| 6 | 532 12 49-57 | Fitting, Grease |
| 7 | 532 12 49-59 | Bearing, Flange (Front Wheel Only) |
| 8 | 532 17 50-39 | Cap, Hub |
| 9 | 532 10 55-88 | Tire, Rear |
| 10 | 532 00 71-54 | Tube, Rear (Service Item Only) |
| 11 | 532 14 45-10 | Rim Assembly, Rear |
| 12 | 532 12 48-60 | Fitting, Grease |
| -- | 532 14 43-34 | Sealant, Tire (10 oz. Tube) |

NOTE: All component dimensions given in U.S. inches
1 inch = 25.4 mm

REPAIR PARTS

TRACTOR - - MODEL NO. GTH2548 (96023000300) PRODUCT NO. 960 23 00-03
LIFT ASSEMBLY



lift_rh_11

REPAIR PARTS

TRACTOR - - MODEL NO. GTH2548 (96023000300) PRODUCT NO. 960 23 00-03
LIFT ASSEMBLY

| KEY NO. | PART NO. | DESCRIPTION |
|---------|--------------|----------------------------------|
| 1 | 532 12 10-06 | Rod Asm., Lever |
| 2 | 532 18 00-45 | Shaft Asm., Lift Vgt |
| 3 | 532 15 91-89 | Lever Asm., Lift Rh |
| 4 | 812 00 00-22 | E-Ring Truarc #5133-87 |
| 5 | 819 29 20-16 | Washer 29/32 x 1-1/4 x 16 Ga. |
| 6 | 871 11 06-24 | Bolt, Fin Hex 3/8-16 x 1-1/2 |
| 7 | 532 12 56-31 | Grip, Handle |
| 8 | 532 12 45-26 | Button, Plunger |
| 9 | 532 12 23-64 | Plunger, Lever Lift |
| 10 | 532 18 38-94 | Spring 0.62 OD x 2.125 |
| 11 | 532 17 53-75 | Link Lift |
| 12 | 532 16 35-52 | Retainer, Spring |
| 23 | 532 12 46-70 | Retainer, Spring |
| 24 | 873 35 08-00 | Nut, Jam Hex 1/2-13 unc |
| 26 | 873 80 08-00 | Nut, Lock W/Wsh 1/2-13 unc |
| 29 | 532 15 02-33 | Trunnion Infin Height |
| 30 | 532 11 08-07 | Nut, Special |
| 31 | 819 13 10-16 | Washer 13/32 x 5/8 x 16 Ga. |
| 32 | 532 13 71-50 | Spring, Compression Inf Hgt |
| 33 | 876 02 03-08 | Pin, Cotter 3/32 x 1/2 |
| 34 | 532 13 71-67 | Rod, Adj Lift |
| 35 | 532 13 80-57 | Knob, Inf 3/8-16 unc |
| 38 | 532 15 50-97 | Pointer Height Indicator |
| 39 | 532 12 39-35 | Plug, Hole Blk. 1.485/1.515 Dia. |
| 40 | 817 06 05-16 | Screw 5/16-18 x 1 |
| 41 | 532 17 59-94 | Nut, Crownlock 3/8-24 |
| 42 | 819 11 24-10 | Washer 11/32 x 1-1/2 x 10 Ga. |
| 43 | 532 12 39-34 | Scale, Indicator Height |
| 70 | 532 14 52-12 | Nut Hex Flange Lock |
| 72 | 532 11 04-52 | Nut Push Phos & Oil |
| 73 | 873 35 06-00 | Nut, Hex Jam 3/8-16 unc |
| 74 | 532 17 58-02 | Arm Suspension Rear RH |
| 75 | 532 17 58-05 | Plate, Asm, Susp, Front |
| 76 | 532 17 55-60 | Pin Flange |
| 77 | 532 17 62-05 | Trunnion |
| 78 | 532 17 56-89 | Trunnion, Front, Susp |
| 79 | 532 17 53-78 | Arm, Suspension Rear LH |

NOTE: All component dimensions given in U.S. inches
1 inch = 25.4 mm

REPAIR PARTS

**TRACTOR - - MODEL NO. GTH2548 (96023000300) PRODUCT NO. 960 23 00-03
MOWER DECK**

| KEY NO. | PART NO. | DESCRIPTION | KEY NO. | PART NO. | DESCRIPTION |
|---------|--------------|--|---------|--------------|--|
| 1 | 532 18 03-58 | Deck Weldment Mower 48 | 50 | 872 11 06-12 | Bolt, Carr. 3/8-16 x 1-1/2 Gr. 5 |
| 3 | 532 17 89-15 | Bracket Asm., Sway Bar | 52 | 532 17 58-20 | Pulley Idler Flat |
| 5 | 532 12 46-70 | Retainer Spring | 56 | 532 15 59-86 | Bar Pnt Adj. |
| 6 | 532 17 80-24 | Sway Bar Deck | 57 | 532 15 69-41 | Pin Head Rivet |
| 8 | 532 17 43-65 | Bolt 7/16 Asm. Blade | 91 | 532 18 05-35 | Bracket Asm N Roller RH |
| | | (The following blades are available) | 94 | 532 17 60-66 | Roller Nose 48" |
| 11 | 532 17 39-21 | Blade, 48" Mulching (For mulching mowers only) | 95 | 532 18 05-34 | Bracket Asm N Roller LH |
| -- | 532 18 00-54 | Blade, 48" Hi-Lift (For bagging and discharging) | 97 | 532 17 85-15 | Washer Hardened |
| 13 | 532 17 43-60 | Shaft Asm. w/Lower Bearing | 98 | 532 17 94-79 | Spring Primary Drive |
| 14 | 532 17 43-58 | Mandrel Asm. | 99 | 532 18 99-93 | Pulley Idler"V" |
| 15 | 532 11 04-85 | Bearing, Ball, Mandrel | 100 | 872 11 06-16 | Bolt RDHD Sqnk 3/8-16 Unc x 2 |
| 16 | 532 17 44-93 | Stripper Mandrel Deck | 110 | 532 17 50-16 | Arm Spring Secondary |
| 17 | 872 11 06-10 | Bolt RDHD Sq Neck 3/8-16 x 1.25 | 112 | 532 17 43-87 | Link Tension Relief Lever |
| 18 | 872 14 05-05 | Bolt, Carriage 5/16-18 x 5/8 | 113 | 872 11 05-06 | Bolt Carr. 5/16-18 x 3/4 |
| 19 | 532 13 28-27 | Bolt, Hex Hd, Shoulder 5/16-18 | 114 | 532 17 43-84 | Tension Asm. Relief Lever |
| 20 | 532 17 43-78 | Baffle, Vortex Mower | 115 | 532 17 46-09 | Arm Spring Tension Relief |
| 21 | 873 68 05-00 | Nut, Crownlock 5/16-18 Unc | 116 | 532 19 34-06 | Bolt, Shoulder |
| 24 | 532 10 53-04 | Cap, Sleeve | 117 | 532 17 48-73 | Gauge Wheel |
| 25 | 532 17 81-02 | Spring, Torsion | 118 | 873 93 06-00 | Nut, Centerlock 3/8-16 Unc |
| 26 | 532 11 04-52 | Nut, Push | 119 | 819 12 14-14 | Washer 3/8 x 7/8 x 14 Ga. |
| 27 | 532 18 17-07 | Deflector Shield | 121 | 532 17 43-71 | Spring Secondary Drive |
| 28 | 819 11 10-16 | Washer 11/32 x 5/8 x 16 Ga. | 122 | 532 17 46-06 | Bushing Pivot Tension Relief |
| 29 | 532 13 14-91 | Rod, Hinge | 126 | 532 17 43-72 | Arm, Idler, Primary Deck |
| 30 | 532 17 39-84 | Screw, Thdroll Washer Head | 130 | 817 00 06-16 | Screw 3/8-16 x 1.0 |
| 31 | 532 18 76-90 | Washer, Spacer Mandrel | 132 | 817 00 06-12 | Screw 3/8-16 x .75 |
| 32 | 532 17 34-36 | Pulley, Mandrel | 182 | 532 17 91-27 | Rod Roller Nose |
| 33 | 532 17 83-42 | Nut, Flg. Top Lock Cntr. 9/16 | 183 | 532 16 35-52 | Retainer Spring |
| 37 | 532 17 79-68 | Pulley, Idler, Flat | 184 | 532 17 39-79 | Keeper Belt Idler |
| 39 | 532 17 43-75 | Pulley, Idler, Driven | -- | 532 17 43-56 | Mandrel Asm. Service (Includes Key Nos. 13-15 and 33) |
| 42 | 532 12 20-52 | Spacer, Retainer | -- | 532 18 15-91 | Replacement Mower, Complete (Std. Deck-Order separately nose roller components Key Nos. 91 - 95 and 132, 182, 183.) |
| 43 | 532 17 43-73 | Arm, Idler Secondary | | | |
| 45 | 532 18 08-06 | Cover, Mandrel Deck | | | |
| 46 | 532 13 77-29 | Screw, Thdroll. 1/4-20 x 5/8 | | | |
| 47 | 532 18 08-08 | V-Belt, Mower, Secondary | | | |
| 48 | 532 17 43-68 | V-Belt, Mower, Primary | | | |
| 49 | 873 90 06-00 | Nut Lock Flg. 3/8-16 Unc | | | |

NOTE: All component dimensions given in U.S. inches
1 inch = 25.4 mm